

# Panasonic

Proprietary Telephones

## Quick Reference Guide

KX-T7720/KX-T7730

Model KX-T7735/KX-T7750

### Important Information

#### **When you ship the product:**

Carefully pack and send it prepaid, adequately insured and preferably in the original carton. Attach a postage-paid letter, detailing the symptom to the outside of the carton. DO NOT send the product to the Executive or Regional Sales offices. They are NOT equipped to make repairs.

#### **Product service:**

Panasonic Servicenters for this product are listed in the servicenter directory. Consult your authorized Panasonic dealer for detailed instructions.

#### **WARNING:**

TO PREVENT THE RISK OF FIRE OR ELECTRIC SHOCK, DO NOT EXPOSE THIS PRODUCT TO RAIN OR ANY TYPE OF MOISTURE.

THIS HANDSET EARPIECE IS MAGNETISED, AND MAY RETAIN SMALL FERROUS OBJECTS.

#### **IMPORTANT NOTICE:**

Under power failure conditions, this telephone may not operate. Please ensure that a separate telephone, not dependent on local power, is available for use in an emergency.

#### **Note:**

In this manual, the suffix of each model number is omitted.

#### **Included Accessories: for extra orders, call toll free 1-800-332-5368**

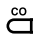





- |   |                            |
|---|----------------------------|
| • Handset . . . . . 1                           | • Handset Cord . . . . . 1 |
| • Telephone Line Cord . . . . . 1               | • Stand . . . . . 1        |
| • Overlay . . . . . 1 (KX-T7730, KX-T7735 only) |                            |


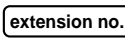


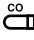
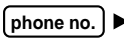
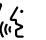




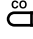
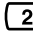
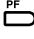

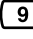
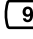


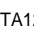

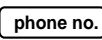



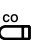



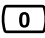


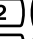



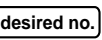




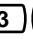

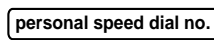



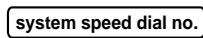

#### **For your future reference**

SERIAL NO. \_\_\_\_\_ DATE OF PURCHASE \_\_\_\_\_  
(found on the bottom of the unit)  
NAME OF DEALER \_\_\_\_\_  
DEALER S ADDRESS \_\_\_\_\_  
DEALER S TEL. NO. \_\_\_\_\_


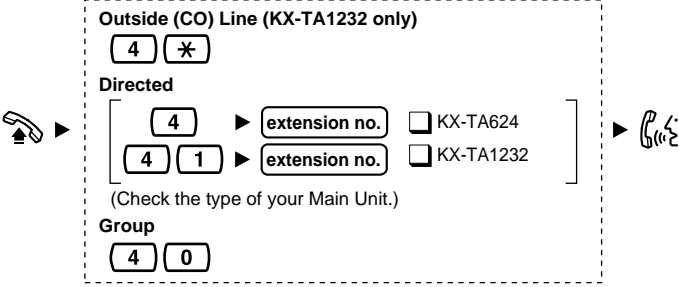








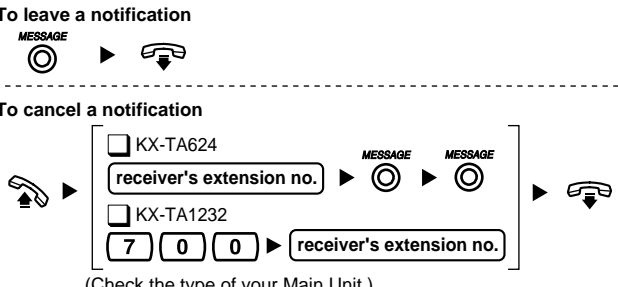







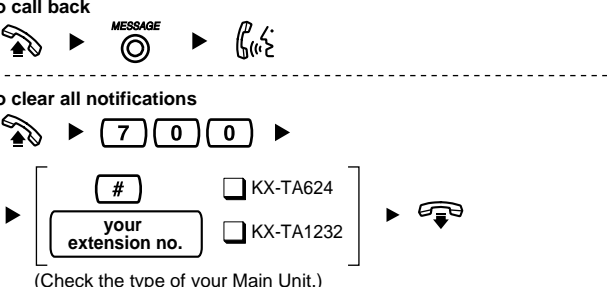






**Please read this manual before using and save for future reference.**

# Features List





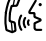
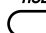





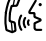
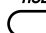





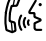
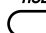


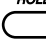
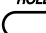






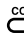
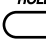

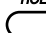






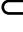



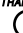
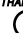
 Outside (CO) Line button    
  Programmable Function button    
  Feature number  
 Off-hook    
  On-hook    
  Talk    
 \* "Location of Controls" is shown on page 8.

Desired Function	Operation
<b>Making Calls</b>	
Calling	<p><b>To an extension</b>  ►  ► </p> <p><b>To an external party</b>  ►  ►  ► </p>
Redial	 ►  ► 
One-Touch Dialing	<p><b>To program</b></p> <p>  ►   /   KX-TA624    ►  /  ►   KX-TA1232         </p> <p>(Check the type of your Main Unit.)</p> <p>  ►  ►  </p>
	<p><b>To dial</b></p> <p> ►  /  – assigned as a One-touch dialing button ► </p>
Calling an operator	 ►  ► 
Speed Dialing (Personal)	<p><b>To set</b></p> <p>  ►  *  KX-TA624   0  KX-TA1232         </p> <p>(Check the type of your Main Unit.)</p> <p> ► # ► </p>
	<p><b>To dial</b></p> <p>  ►   KX-TA624   *  KX-TA1232         </p> <p>(Check the type of your Main Unit.)</p> <p> ► </p>
Speed Dialing (System)	<p><b>To dial</b></p> <p>  ►  ►  ►  </p>






# Features List

Desired Function	Operation		
<b>Receiving Calls</b>			
Handsfree answerback (KX-T7720/7730 /7735 only)	<i>While on-hook</i> 		
Picking up a call	<div style="border: 1px dashed black; padding: 10px;"> <p><b>Outside (CO) Line (KX-TA1232 only)</b></p> <p><b>4</b> <b>*</b></p> <p><b>Directed</b></p> <p> <input type="checkbox"/> <b>4</b> <b>extension no.</b> <input type="checkbox"/> KX-TA624  <input type="checkbox"/> <b>4</b> <b>1</b> <b>extension no.</b> <input type="checkbox"/> KX-TA1232         </p> <p>(Check the type of your Main Unit.)</p> <p><b>Group</b></p> <p><b>4</b> <b>0</b></p> </div> 		
<b>When the Dialed Extension is Busy/No Answer</b>			
Automatic Callback Busy	<table border="0" style="width: 100%;"> <tr> <td style="width: 50%; vertical-align: top;"> <b>To set</b>  <i>While hearing a busy tone</i>  <input type="text" value="6"/>  </td> <td style="width: 50%; vertical-align: top;"> <b>To call</b>  <i>If you hear callback ringing</i>   </td> </tr> </table>	<b>To set</b> <i>While hearing a busy tone</i> <input type="text" value="6"/> 	<b>To call</b> <i>If you hear callback ringing</i> 
<b>To set</b> <i>While hearing a busy tone</i> <input type="text" value="6"/> 	<b>To call</b> <i>If you hear callback ringing</i> 		
Message Waiting	<table border="0" style="width: 100%;"> <tr> <td style="width: 20%; vertical-align: middle;">Sender</td> <td style="width: 80%;"> <p><b>To leave a notification</b></p> <p> </p> <hr style="border-top: 1px dashed black;"/> <p><b>To cancel a notification</b></p> <p> <input type="checkbox"/> KX-TA624  <input type="checkbox"/> KX-TA1232  <input type="text" value="7"/> <input type="text" value="0"/> <input type="text" value="0"/> <b>receiver's extension no.</b> </p> <p>(Check the type of your Main Unit.)</p> </td> </tr> </table> 	Sender	<p><b>To leave a notification</b></p> <p> </p> <hr style="border-top: 1px dashed black;"/> <p><b>To cancel a notification</b></p> <p> <input type="checkbox"/> KX-TA624  <input type="checkbox"/> KX-TA1232  <input type="text" value="7"/> <input type="text" value="0"/> <input type="text" value="0"/> <b>receiver's extension no.</b> </p> <p>(Check the type of your Main Unit.)</p>
	Sender	<p><b>To leave a notification</b></p> <p> </p> <hr style="border-top: 1px dashed black;"/> <p><b>To cancel a notification</b></p> <p> <input type="checkbox"/> KX-TA624  <input type="checkbox"/> KX-TA1232  <input type="text" value="7"/> <input type="text" value="0"/> <input type="text" value="0"/> <b>receiver's extension no.</b> </p> <p>(Check the type of your Main Unit.)</p>	
<table border="0" style="width: 100%;"> <tr> <td style="width: 20%; vertical-align: middle;">Receiver</td> <td style="width: 80%;"> <p><b>To call back</b></p> <p>  </p> <hr style="border-top: 1px dashed black;"/> <p><b>To clear all notifications</b></p> <p> <input type="text" value="7"/> <input type="text" value="0"/> <input type="text" value="0"/> <b>#</b>  <input type="text" value="your extension no."/> </p> <p>(Check the type of your Main Unit.)</p> </td> </tr> </table> 	Receiver	<p><b>To call back</b></p> <p>  </p> <hr style="border-top: 1px dashed black;"/> <p><b>To clear all notifications</b></p> <p> <input type="text" value="7"/> <input type="text" value="0"/> <input type="text" value="0"/> <b>#</b>  <input type="text" value="your extension no."/> </p> <p>(Check the type of your Main Unit.)</p>	
Receiver	<p><b>To call back</b></p> <p>  </p> <hr style="border-top: 1px dashed black;"/> <p><b>To clear all notifications</b></p> <p> <input type="text" value="7"/> <input type="text" value="0"/> <input type="text" value="0"/> <b>#</b>  <input type="text" value="your extension no."/> </p> <p>(Check the type of your Main Unit.)</p>		






# Features List

Desired Function	Operation																																		
<b>When the Dialed Extension is Busy/No Answer</b>																																			
Call Waiting	Sender	<p>While hearing a busy tone</p> <p><b>1</b> ▶ Wait for an answer. ▶ </p>																																	
	Receiver	<div style="border: 1px dashed black; padding: 10px; margin: 10px;"> <input type="checkbox"/> KX-TA624  <b>For outside calls</b>  <table border="0" style="width: 100%;"> <tr> <td style="border: 1px solid black; padding: 2px;">7</td> <td style="border: 1px solid black; padding: 2px;">3</td> <td style="border: 1px solid black; padding: 2px;">1</td> <td style="border: 1px solid black; padding: 2px;">1</td> <td style="border: 1px solid black; padding: 2px;">#</td> <td>Set</td> </tr> <tr> <td style="border: 1px solid black; padding: 2px;">7</td> <td style="border: 1px solid black; padding: 2px;">3</td> <td style="border: 1px solid black; padding: 2px;">1</td> <td style="border: 1px solid black; padding: 2px;">0</td> <td style="border: 1px solid black; padding: 2px;">#</td> <td>Cancel</td> </tr> </table>   <b>For intercom calls</b>  <table border="0" style="width: 100%;"> <tr> <td style="border: 1px solid black; padding: 2px;">7</td> <td style="border: 1px solid black; padding: 2px;">3</td> <td style="border: 1px solid black; padding: 2px;">2</td> <td style="border: 1px solid black; padding: 2px;">1</td> <td style="border: 1px solid black; padding: 2px;">#</td> <td>Set</td> </tr> <tr> <td style="border: 1px solid black; padding: 2px;">7</td> <td style="border: 1px solid black; padding: 2px;">3</td> <td style="border: 1px solid black; padding: 2px;">2</td> <td style="border: 1px solid black; padding: 2px;">0</td> <td style="border: 1px solid black; padding: 2px;">#</td> <td>Cancel</td> </tr> </table> </div> <input type="checkbox"/> KX-TA1232 <table border="0" style="width: 100%;"> <tr> <td style="border: 1px solid black; padding: 2px;">7</td> <td style="border: 1px solid black; padding: 2px;">3</td> <td style="border: 1px solid black; padding: 2px;">1</td> <td style="border: 1px solid black; padding: 2px;">1</td> <td>Set</td> </tr> <tr> <td style="border: 1px solid black; padding: 2px;">7</td> <td style="border: 1px solid black; padding: 2px;">3</td> <td style="border: 1px solid black; padding: 2px;">1</td> <td style="border: 1px solid black; padding: 2px;">0</td> <td>Cancel</td> </tr> </table> <p>(Check the type of your Main Unit.)</p>	7	3	1	1	#	Set	7	3	1	0	#	Cancel	7	3	2	1	#	Set	7	3	2	0	#	Cancel	7	3	1	1	Set	7	3	1	0
7	3	1	1	#	Set																														
7	3	1	0	#	Cancel																														
7	3	2	1	#	Set																														
7	3	2	0	#	Cancel																														
7	3	1	1	Set																															
7	3	1	0	Cancel																															
<p><b>To talk to the new party</b>    <i>While hearing the Call Waiting tone</i></p> <table border="0" style="width: 100%;"> <tr> <td style="width: 50%; vertical-align: top;"> <p><b>Terminating a current status</b></p> <p> /  ▶ </p> </td> <td style="width: 50%; vertical-align: top;"> <p><b>Holding a current status</b></p> <p> ▶  /  ▶ </p> </td> </tr> </table>			<p><b>Terminating a current status</b></p> <p> /  ▶ </p>	<p><b>Holding a current status</b></p> <p> ▶  /  ▶ </p>																															
<p><b>Terminating a current status</b></p> <p> /  ▶ </p>	<p><b>Holding a current status</b></p> <p> ▶  /  ▶ </p>																																		
<b>During a Conversation</b>																																			
Holding a call	<p><b>Holding</b></p> <p> ▶ </p> <p><b>To retrieve a call at the holding extension</b></p> <p> ▶  /  ▶ </p>																																		
	<p><b>To retrieve an outside call from another extension</b></p> <p> ▶  ▶ </p>																																		
Holding a call exclusively	<p><b>Holding</b></p> <p> ▶  ▶ </p> <p><b>To retrieve a call on exclusive hold</b></p> <p> ▶  /  ▶ </p>																																		
Transferring a call	<p><b>Screened</b></p> <p> ▶ <table border="1" style="display: inline-table; border-collapse: collapse;"><tr><td style="padding: 2px;">extension no.</td></tr><tr><td style="padding: 2px;"> phone no.</td></tr></table> to an extension</p> <p>to an external party (System programming is required.) ▶ Wait for an answer. ▶  ▶ Announce. ▶ </p>		extension no.	 phone no.																															
	extension no.																																		
 phone no.																																			
<p><b>Unscreened to an extension</b></p> <p> ▶ <table border="1" style="display: inline-table; border-collapse: collapse;"><tr><td style="padding: 2px;">extension no.</td></tr></table> ▶ </p>		extension no.																																	
extension no.																																			

# Features List

Desired Function	Operation	
<b>Useful Features</b>		
Paging	<p><b>To page</b></p> <p>All extensions  <input type="text" value="3"/> <input type="text" value="3"/> <input type="text" value="0"/></p> <p>Group  <input type="text" value="3"/> <input type="text" value="3"/> ▶ <input type="text" value="group no."/></p> <p><input type="checkbox"/> KX-TA624</p> <p>All external speakers  <input type="text" value="3"/> <input type="text" value="4"/></p> <p>All extensions &amp; external speakers  <input type="text" value="3"/> <input type="text" value="3"/> <input type="text" value="*"/></p> <p><input type="checkbox"/> KX-TA1232</p> <p>All external speakers  <input type="text" value="3"/> <input type="text" value="2"/> <input type="text" value="0"/></p> <p>Specific external speaker  <input type="text" value="3"/> <input type="text" value="2"/> ▶ <input type="text" value="external speaker no."/></p> <p>All extensions &amp; external speakers  <input type="text" value="3"/> <input type="text" value="3"/> <input type="text" value="*"/></p> <p>(Check the type of your Main Unit.)</p> <p><b>To answer an announced page</b></p> <p>From a telephone speaker  <input type="text" value="4"/> <input type="text" value="3"/></p> <p>From an external speaker  <input type="text" value="4"/> <input type="text" value="3"/> <input type="checkbox"/> KX-TA624  <input type="text" value="4"/> <input type="text" value="2"/> ▶ <input type="text" value="external speaker no."/> <input type="checkbox"/> KX-TA1232</p> <p>(Check the type of your Main Unit.)</p>	 ▶  Announce.
Three-party conference	<input type="checkbox"/> CONF  ▶ <input type="text" value="third party's no."/> ▶  ▶ <input type="checkbox"/> CONF 	
Setting Absent Message	<p><b>To set</b></p> <p><input type="checkbox"/> KX-TA624  <input type="text" value="7"/> <input type="text" value="5"/> ▶ <input type="text" value="message no."/> ▶ <input type="text" value="parameter (if required)"/> ▶ <input type="text" value="#"/></p> <p><input type="checkbox"/> KX-TA1232  <input type="text" value="7"/> <input type="text" value="5"/> <input type="text" value="0"/> ▶ <input type="text" value="message no."/> ▶ <input type="text" value="parameter (if required)"/></p> <p>(Check the type of your Main Unit.)</p> <p><b>To cancel</b></p> <p><input type="checkbox"/> KX-TA624  <input type="text" value="7"/> <input type="text" value="5"/> <input type="text" value="0"/> <input type="text" value="#"/></p> <p><input type="checkbox"/> KX-TA1232  <input type="text" value="7"/> <input type="text" value="5"/> <input type="text" value="0"/> <input type="text" value="0"/></p> <p>(Check the type of your Main Unit.)</p>	

# Features List

Desired Function	Operation																								
<b>Useful Features</b>																									
Log-In/Log-Out	<div style="display: flex; align-items: center; justify-content: space-between;">  <div style="border: 1px dashed black; padding: 10px; width: 80%;"> <input type="checkbox"/> KX-TA624  <table style="width: 100%; border-collapse: collapse;"> <tr> <td style="text-align: center; width: 25px;">7</td><td style="text-align: center; width: 25px;">3</td><td style="text-align: center; width: 25px;">6</td><td style="text-align: center; width: 25px;">0</td><td style="text-align: center; width: 25px;">#</td><td style="width: 20px;"></td><td style="text-align: left;">For Log-In</td> </tr> <tr> <td style="text-align: center;">7</td><td style="text-align: center;">3</td><td style="text-align: center;">6</td><td style="text-align: center;">1</td><td style="text-align: center;">#</td><td></td><td style="text-align: left;">For Log-Out</td> </tr> </table>   <input type="checkbox"/> KX-TA1232  <table style="width: 100%; border-collapse: collapse;"> <tr> <td style="text-align: center; width: 25px;">4</td><td style="text-align: center; width: 25px;">5</td><td style="text-align: center; width: 25px;">1</td><td style="width: 20px;"></td><td style="text-align: left;">For Log-In</td> </tr> <tr> <td style="text-align: center;">4</td><td style="text-align: center;">5</td><td style="text-align: center;">0</td><td style="width: 20px;"></td><td style="text-align: left;">For Log-Out</td> </tr> </table> <p style="font-size: small; margin-top: 5px;">(Check the type of your Main Unit.)</p> </div>  </div>	7	3	6	0	#		For Log-In	7	3	6	1	#		For Log-Out	4	5	1		For Log-In	4	5	0		For Log-Out
7	3	6	0	#		For Log-In																			
7	3	6	1	#		For Log-Out																			
4	5	1		For Log-In																					
4	5	0		For Log-Out																					
Forwarding a call	<div style="display: flex; align-items: center; justify-content: space-between;">  <div style="display: flex; align-items: center; gap: 10px;"> <span style="font-size: small;">FWD/DND</span>  </div>  </div> <div style="border: 1px dashed black; padding: 10px; width: 80%; margin: 10px auto;"> <input type="checkbox"/> KX-TA624  <div style="border: 1px solid black; padding: 5px;"> <p><b>All calls</b></p> <p><b>1</b> ▶ extension no. ▶ #</p> <p><b>Busy/No answer</b></p> <p><b>2</b> ▶ extension no. ▶ #</p> <p><b>To an outside line</b></p> <p><b>3</b> ▶ line access code ▶ phone no. ▶ #</p> <p><b>Follow Me</b></p> <p><b>5</b> ▶ your extension no. ▶ #</p> <p><b>Cancel Follow Me</b></p> <p><b>8</b> ▶ your extension no. ▶ #</p> <p><b>Cancel</b></p> <p><b>0</b> ▶ #</p> </div>   <input type="checkbox"/> KX-TA1232  <div style="border: 1px solid black; padding: 5px;"> <p><b>All calls</b></p> <p><b>2</b> ▶ extension no.</p> <p><b>Busy</b></p> <p><b>3</b> ▶ extension no.</p> <p><b>No answer</b></p> <p><b>4</b> ▶ extension no.</p> <p><b>Busy/No answer</b></p> <p><b>5</b> ▶ extension no.</p> <p><b>To an outside line</b></p> <p><b>6</b> ▶ line access code ▶ phone no. ▶ #</p> <p><b>Follow Me</b></p> <p><b>7</b> ▶ your extension no.</p> <p><b>Cancel Follow Me</b></p> <p><b>8</b> ▶ your extension no.</p> <p><b>Cancel</b></p> <p><b>0</b></p> </div> <p style="font-size: small; margin-top: 5px;">(Check the type of your Main Unit.)</p> </div>																								

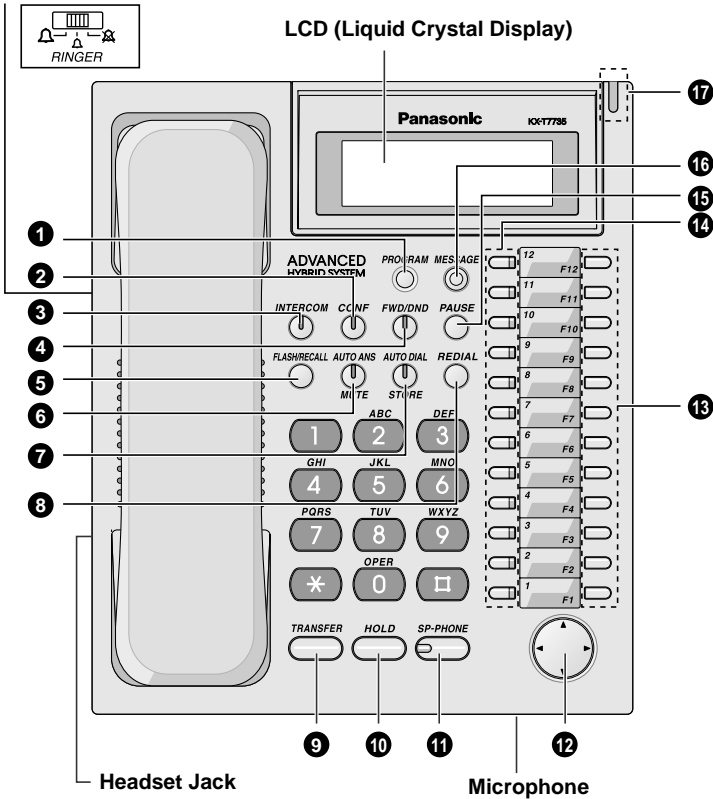
# Features List

Desired Function	Operation
<b>Useful Features</b>	
Do Not Disturb (DND)	<p> <input type="checkbox"/> KX-TA624            [ 4 # Set            0 # Cancel ]  <input type="checkbox"/> KX-TA1232            [ 1 Set            0 Cancel ]            (Check the type of your Main Unit.)         </p>
Locking your extension	<p> <input type="checkbox"/> KX-TA624 (lock code is 4 digits)            [ 7 7 lock code lock code # Lock            7 7 lock code # Unlock ]  <input type="checkbox"/> KX-TA1232 (lock code is 3 digits)            [ 7 7 lock code lock code Lock            7 7 lock code Unlock ]            (Check the type of your Main Unit.)         </p>
Clearing the setting	<p> <input type="checkbox"/> KX-TA624  <input type="checkbox"/> KX-TA1232            (Check the type of your Main Unit.)         </p>

\* Consult your dealer for more details on the operations above.

# Location of Controls

## RINGER Volume Selector



\* The display and LCD Back-lit are only available on the KX-T7730/7735.

\* Headset (not included): Recommended KX-TCA87/88/90

\* The KX-T7750 does not have a microphone.

- 1 PROGRAM:** Used to enter and exit the programming mode.
- 2 CONF (Conference):** Used to establish a multiple party conversation.
- 3 INTERCOM:** Used to make or receive intercom calls.
- 4 FWD/DND (Call Forwarding/Do Not Disturb):** Used to perform Call Forwarding or Do Not Disturb.
- 5 FLASH/RECALL:** Used for External Feature Access or to disconnect the current call, and make another call without hanging up.
- 6 AUTO ANS (Auto Answer) (KX-T7720/7730/7735):** Used to receive an incoming call in the hands-free mode.  
**MUTE (KX-T7720/7730/7735):** Used to mute the microphone during a conversation.  
**VOICE CALL (KX-T7750):** Used to receive a notification via monitor in place of ringing.




# Location of Controls

- 7 AUTO DIAL/STORE:** Used for speed dialing or storing program changes.
- 8 REDIAL:** Used to redial.
- 9 TRANSFER:** Used to transfer a call to another party.
- 10 HOLD:** Used to place a call on hold.
- 11 SP-PHONE (KX-T7720/7730/7735):** Used for the handsfree operation.  
**MONITOR (KX-T7750):** Used for handsfree dialing. You can monitor the other party's voice handsfree.
- 12 NAVIGATOR KEY (KX-T7730/7735):** Used to adjust the volume and the display contrast, or select desired items for each function.  
**VOLUME KEY (KX-T7720/7750):** Used to adjust the volume.
- 13 Programmable Function Button:** Used as a one-touch dial button (Button assignment is required).
- 14 Flexible Outside (CO) Line Button:** Used to make or receive an outside call. Pressing this button seizes an idle outside line automatically. (Button assignment is required.) Also used as function buttons. (Button assignment is required.)
- 15 PAUSE:** Used to insert a pause during dialing.
- 16 MESSAGE:** Used to leave a message waiting indication, or call back the party who left the message waiting indication.
- 17 Message/Ringer Lamp:** The Message/Ringer lamp informs you visually that you have a message or a call.
  - When you receive a call, the lamp flashes depending on the ringing pattern. When the ringing pattern is set to Single (Slow flash), Double (Moderate flash), or Triple (Rapid flash) in your PBX, the lamp flashes. When the other ringing patterns are set in your PBX, the lamp may not flash. (e.g., S-Double, Call Waiting Tone1).
  - When someone has left you a message, the lamp is lit continuously.

## Initial Settings

### ◆ Speaker volume \*


While on-hook or during a conversation



Press **SP-PHONE**. Press **Up** or **Down**.

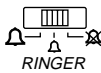
### ◆ Handset/Headset volume \*

While using the handset or headset



Press **Up** or **Down**.


### ◆ Ringer volume



Slide the lever of the **RINGER** Volume Selector to the desired setting (**HIGH/LOW/OFF**).

### ◆ Display contrast \*

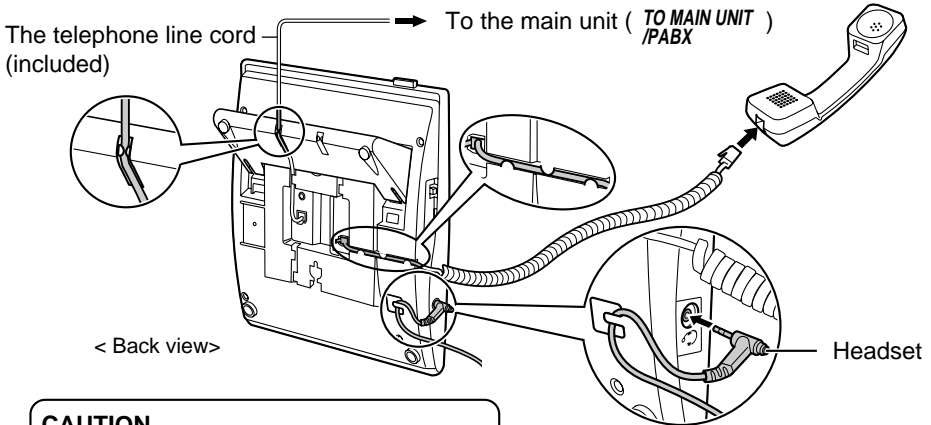
**KX-T7730/7735** While on-hook or receiving a call



Press **Left** or **Right**.

\* The above settings may return to default settings if the telephone line cord is disconnected, or the main unit's power is interrupted.

# Connection

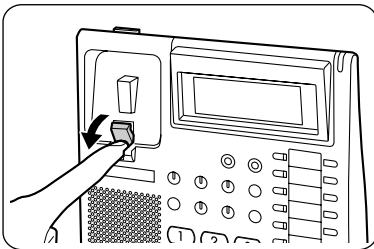


## CAUTION

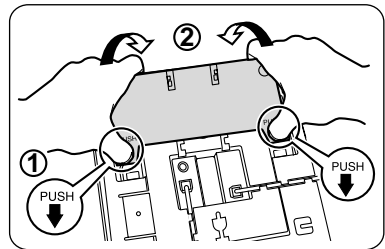
Ensure the cord is inserted in the groove to prevent damage to the connector.

# Wall Mounting

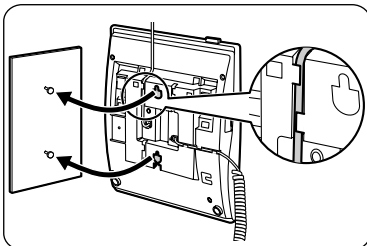
1 Pull down the handset hook until it locks, so the tab holds the handset.



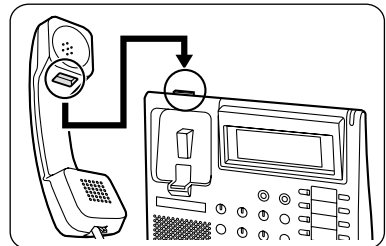
2 Remove the attached stand.



3 Mount the unit on the wall.



To temporarily place the handset down during a conversation, hook it over the top edge of the phone as shown.



\* KX-T7735 model illustrated on this page.

# ***Important Safety Instructions***

---

When using this unit, basic safety precautions should always be followed to reduce the risk of fire, electric shock, or personal injury.

1. Read and understand all instructions.
2. Follow all warnings and instructions marked on this unit.
3. Unplug this unit from the main unit before cleaning. Do not use liquid or aerosol cleaners. Use a damp cloth for cleaning.
4. Do not use this unit near water, for example, near a bathtub, washbowl, kitchen sink, or the like.
5. Place this unit securely on a stable surface. Serious damage and/or injury may result if the unit falls.
6. Do not cover slots and openings on the unit. They are provided for ventilation and protection against overheating. Never place the unit near radiators, or in a place where proper ventilation is not provided.
7. Do not allow anything to rest on the extension cord. Do not locate this unit where the cord will be abused by persons walking on it.
8. Do not overload wall outlets and extension cords. This can result in the risk of fire or electric shock.
9. Never push any objects through slots in this unit. This may result in the risk of fire or electric shock. Never spill any liquid on the unit.
10. To reduce the risk of electric shock, do not disassemble this unit. Take the unit to an authorized servicer when service is required. Opening or removing covers may expose you to dangerous voltages or other risks. Incorrect reassembly can cause electric shock when the unit is subsequently used.
11. Unplug this unit from the main unit, and refer servicing to an authorized servicer when the following conditions occur:
  - A. When the extension cord is damaged or frayed.
  - B. If liquid has been spilled into the unit.
  - C. If the unit has been exposed to rain or water.
  - D. If the unit does not work normally by following the manual. Adjust only controls covered by the manual. Improper adjustment may require extensive work by an authorized servicer.
  - E. If the unit has been dropped, or physically damaged.
  - F. If the unit exhibits a distinct change in performance.
12. During thunderstorms, avoid using telephones except cordless types. There may be a remote risk of an electric shock from lightning.
13. Do not use this unit to report a gas leak, when in the vicinity of the leak.

**SAVE THESE  
INSTRUCTIONS**

# ***FCC and Other Information***

---

**NOTE:** This equipment has been tested and found to comply with the limits for a Class B digital device, pursuant to Part 15 of the FCC Rules. These limits are designed to provide reasonable protection against harmful interference in a residential installation. This equipment generates, uses and can radiate radio frequency energy and, if not installed and used in accordance with the instructions, may cause harmful interference to radio communications. However, there is no guarantee that interference will not occur in a particular installation. If this equipment does cause harmful interference to radio or television reception, which can be determined by turning the equipment off and on, the user is encouraged to try to correct the interference by one or more of the following measures:

- Reorient or relocate the receiving antenna.
- Increase the separation between the equipment and receiver.
- Connect the equipment into an outlet on a circuit different from that to which the receiver is connected.
- Consult the dealer or an experienced radio/TV technician for help.

**CAUTION:** To assure continued compliance with FCC rules, do not make any unauthorized modifications. When programming emergency numbers and/or making test calls to emergency numbers:

- 1) Remain on the line and briefly explain to the dispatcher the reason for the call before hanging up.
  - 2) Perform such activities in the off peak hours, such as early morning hours or late evenings.
- If there is any problem, unplug the extension and connect a known working phone. If the known working phone operates properly, have the defective phone repaired by your maintainer. If the known working phone does not operate properly, check the PBX System and the internal extension wiring.
  - Keep the unit away from heating appliances and electrical noise generating devices such as fluorescent lamps and motors.
  - The unit should be kept free of dust, moisture and vibration, and should not be exposed to direct sunlight.
  - Do not use benzine, thinner, or any abrasive powder to clean the cabinet. Wipe it with a soft cloth.
  - Do not disassemble this unit. Dangerous electrical shock could result. The unit must only be disassembled and repaired by qualified service technicians.
  - When a failure occurs which exposes any internal parts, disconnect the telephone line and mains supply immediately and return the unit to your maintainer.

**This telephone provides magnetic coupling for hearing aids.**

**Panasonic Consumer Electronics  
Company, Division of Matsushita  
Electric Corporation of America**  
One Panasonic Way,  
Secaucus, New Jersey 07094  
[www.panasonic.com](http://www.panasonic.com)

**Panasonic Sales Company ("PSC"),  
Division of Matsushita Electric of  
Puerto Rico, Inc.**  
Ave. 65 de Infantería, Km. 9.5,  
San Gabriel Industrial Park, Carolina,  
Puerto Rico 00985

© 2002 Kyushu Matsushita Electric Co., Ltd. All Rights Reserved.